



# UF 253

E/P

Classic Pump-Fed  
Soft Serve  
Twist Model



**Performance and Quality** High-performance soft-serve model combines Carpigiani technology with simple and efficient operations. Hard-O-Tronic consistency control technology, an Exclusive patented system regulates refrigeration by measuring product viscosity to maintain consistent quality control. Patented mix injection system produces unmatched product quality.



**Convenience** Product is fed from rear of cylinder eliminating need to prime and allowing more controllable overrun. Separate touchpad controls for each cylinder let you make a combination of twists of differing products. Each cylinder can be run independently, and one can run alone during low-season. Built-in memory stores information to facilitate repairs.



**Savings** Standby / energy conservation switch reduces operation costs during idle periods. Self-monitoring system minimizes costly errors.



**Safety** Audible Signal alerts when refill is needed.

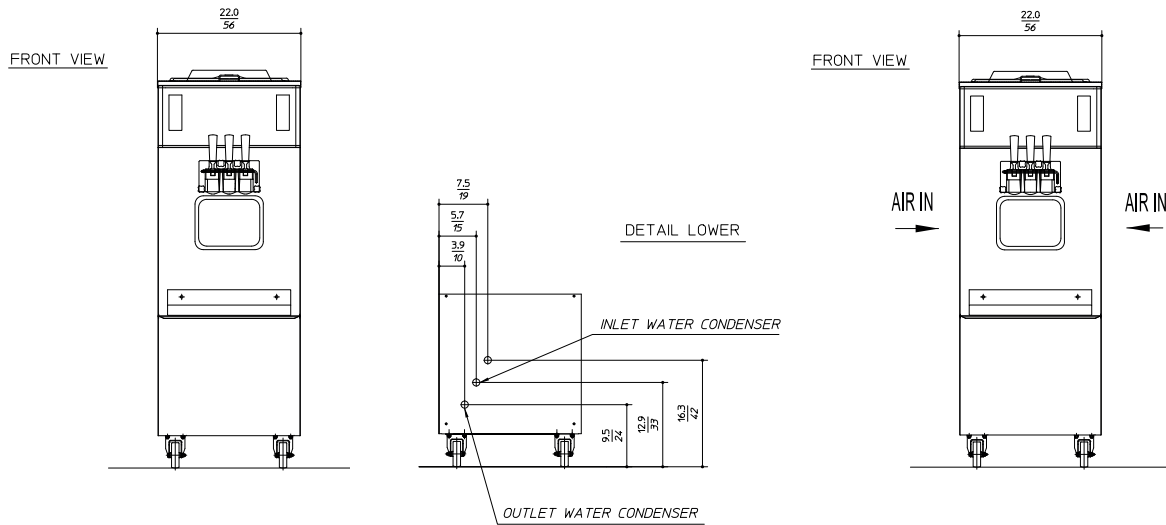


**Hygiene** Standby mode maintains safe product temperatures in the freezing cylinder.



\*request the kits from your distributor to maintain your machine hygienically clean.

[carpigiani.com/us](http://carpigiani.com/us)



	WATER		AIR	
Weights	lbs.	kgs.	lbs.	kgs.
Net	705	320	705	320
Crated	753	342	793	360
	cu. ft.	cu. m.	cu. ft.	cu. m.
Volume	42.03	1.19	42.03	1.19
Dimensions	in.	cm.	in.	cm.
Width	22	56	22	56
Depth	34.1	87	34.1	87
Height	61	155	61	155
Electrical	Maximum Fuse Size	Minimum Circuit Ampacity	Poles (P) Wires (W)	
208-230/60/1 W / A	45A	35/40A	1P, 1W	
208-230/60/3 W / A	30/40A	26/30A	3P, 3W	

## Specifications

### Electrical

A dedicated electrical connection is required. Manufactured to be permanently connected. See the Electrical chart for the proper electrical requirements. Consult your local Carpigiani distributor for cord & receptacle specifications as local codes allow.

### Beater Motor

1,5 HP

### Refrigeration System

R449A

### Water Cooled

Water inlets and drain connections in the rear 1/2" MPT

### Air Cooled \*

Minimum clearance: 4" (10 cm) on both side panels and 12" (30 cm) from the rear panel for proper air circulation.

### Hopper Capacity

18 quarts (17 liters)

All specifications mentioned must be considered approximate; Carpigiani reserves the right to modify, without notice, all parts deemed necessary. This unit may be manufactured in other electrical characteristics and may have additional regulatory agency approvals, please consult the local Carpigiani Distributor. Check name plate for exact electrical data. \* Room temperature 68 °F (20 °C).

### Bidding Specs

Electrical Volt \_\_\_\_\_ Hz \_\_\_\_\_ Ph \_\_\_\_\_ Neutral  Yes  No Cooling  Air  Water

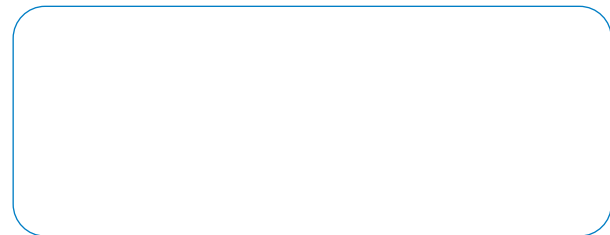
Options \_\_\_\_\_



738 Gallimore Dairy Road, Suite 113  
High Point, NC - 27265  
Toll free (800) 648 4389



Dealer



www.bipiuci.it | printed 06/2022

an Ali Group Company



The Spirit of Excellence