



# LB 200

Tronic G

Counter Top Batch Freezer to accommodate a range of production needs for Gelato, Sorbet, Premium Custard & low overrun Frozen Desserts.



**Performance and Quality** Full size freezing chamber freezes up to 5 qts of mix per batch. Adjustable electronic consistency control ensures product consistency at different loads. Can accommodate both small and large production needs. Self-adjusting scraper blades create creamy Gelato texture.



**Convenience** Runs on single phase power to fit into almost any setting. Countertop machine can fit into most locations. Electronic touch pad provides operational information. Easy to handle machine automatically provides appropriate consistency regardless of the ingredients used in each flavor.



**Savings** Add freshly made Gelato or Premium Ice Cream to the product offering and gain independence on choice of flavors and cost. Self-adjusting scraper can be replaced without needing a new beater. Air-cooled version is available.



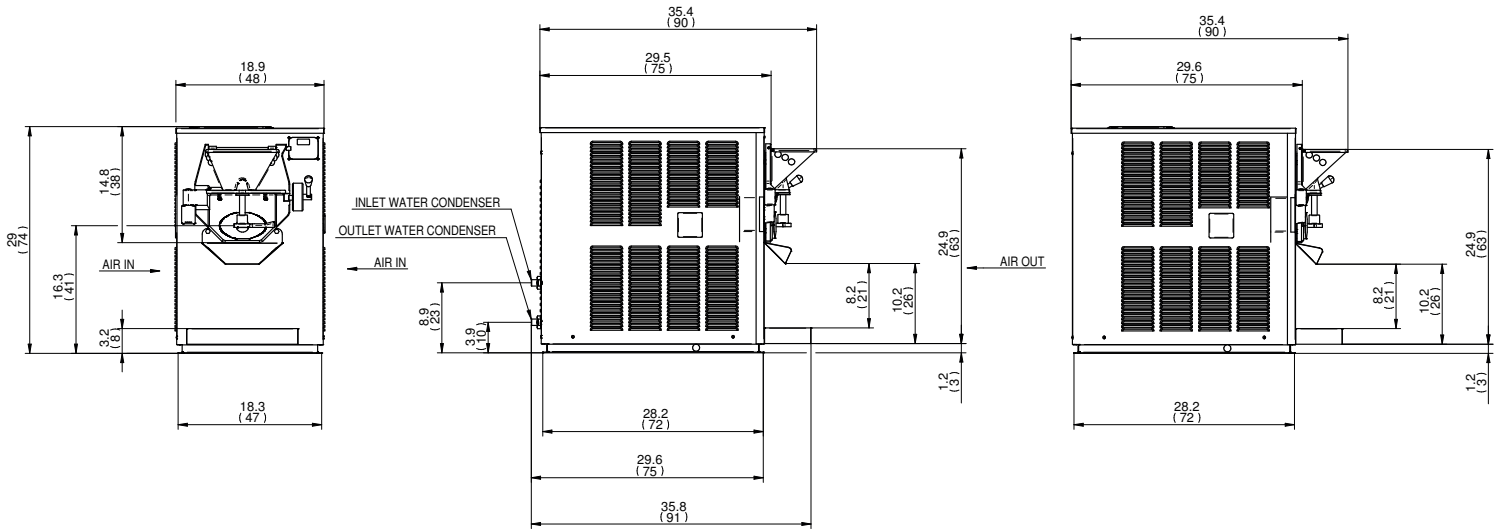
**Hygiene** Door design aids complete extraction, resulting in minimal product residue and flavor overlap.



\*request the kits from your distributor to maintain your machine hygienically clean.

[carpigiani.com/us](http://carpigiani.com/us)

# LB 200 Tronic G



|                    | WATER             |                          | AIR                 |        |
|--------------------|-------------------|--------------------------|---------------------|--------|
| Weights            | lbs.              | kgs.                     | lbs.                | kgs.   |
| Net                | 397               | 180                      | 397                 | 180    |
| Crated             | 414               | 188                      | 414                 | 188    |
| Dimensions         | cu. ft.           | cu. m.                   | cu. ft.             | cu. m. |
| Volume             | 29.7              | 0.84                     | 30.38               | 0.86   |
| Dimensions         | in.               | cm.                      | in.                 | cm.    |
| Width              | 18.9              | 48                       | 18.9                | 48     |
| Depth              | 35.8              | 91                       | 37.4                | 88     |
| Height             | 28.8              | 73                       | 29                  | 74     |
| Electrical         | Maximum Fuse Size | Minimum Circuit Ampacity | Poles (P) Wires (W) |        |
| 208-230/60/1 Water | 40A               | 38A                      | 1P, 1W              |        |
| 208-230/60/1 Air   | 40A               | 38A                      | 1P, 1W              |        |

## Specifications

### Electrical

A dedicated electrical connection is required. Manufactured to be permanently connected. See the Electrical chart for the proper electrical requirements. Consult your local Carpigiani distributor for cord & receptacle specifications as local codes allow.

### Beater Motor

2 HP

### Refrigeration System

R404A

### Water Cooled

Water inlets and drain connections in the rear 1/2" MPT

### Air Cooled \*

Minimum clearance: 6" (15 cm) on both side panels and 12" (30 cm) from the rear panel for proper air circulation.

### Cylinder Capacity

10.5 quarts (9.8 liters)

All specifications mentioned must be considered approximate; Carpigiani reserves the right to modify, without notice, all parts deemed necessary. This unit may be manufactured in other electrical characteristics and may have additional regulatory agency approvals, please consult the local Carpigiani Distributor. Check name plate for exact electrical data. \* Room temperature 68 °F (20 °C).

### Bidding Specs

Electrical Volt \_\_\_\_\_ Hz \_\_\_\_\_ Ph \_\_\_\_\_ Neutral  Yes  No Cooling  Air  Water

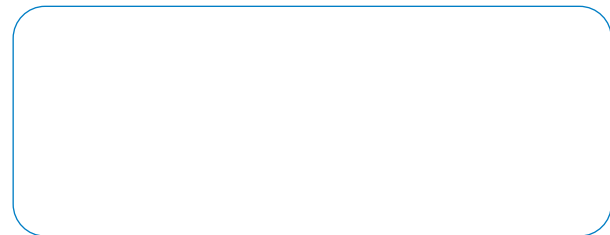
Options \_\_\_\_\_



738 Gallimore Dairy Road, Suite 113  
High Point, NC - 27265  
Toll free (800) 648 4389



Dealer



www.bipiuci.it | printed 08/2021

an Ali Group Company



The Spirit of Excellence